

NUCTECH™ CX6040D X-RAY INSPECTION SYSTEM



EN



Introduction

NUCTECH™ CX6040D X-ray Inspection System, NUCTECH's new generation product of dual view dual-energy X-ray inspection machine for inspection of hand-held baggage, small checked luggage and parcels.

CX6040D employs dual view design, images of each view will be shown on a dedicated monitor, thus dangerous objects and contrabands hidden beneath overlapping area are more likely to be found and located. It stands out with more modern and ergonomic design for efficient and professional X-ray screening. With the tunnel dimensions of 606mm width and 420mm height, it is perfectly suitable for baggage inspection in airports, railway stations, customs, ports and stadiums, etc.

CX6040D combined with unsurpassed operation ergonomics, reliability and safety can provide excellent image quality and advanced material classification. CX6040D offers explosive and drug auto detection as optional.

Technology Features

- Based on dual-view advanced technology meeting high level security and operational effectiveness demands
- High image quality with wire resolution of 38AWG and steel penetration of 34mm steel
- X-ray leakage around the equipment is close to the natural background level, which meets all published international health and safety standards
- Automatic detection and alarm of explosives and drugs
- Support stepwise, continuous and local zoom functions to enlarge the scanning images in flexible and quick ways.
- Images can be saved as general image format, e.g. BMP, JPG and PNG, and be transferred to USB storage devices
- Ergonomic keyboard and user interface design ensure the efficiency and professionalism of the X-ray screening operation
- Modular design and construction combined with full built-in diagnostic facility guarantee the efficiency of equipment maintenance

Technical Specifications

General Specifications

Tunnel Dimensions	606mm(W) × 420mm(H)
Conveyor Speed	0.20m/s
Conveyor Height	680mm
Max. Load	160Kg

Image Performance

Wire Resolution	38AWG
Steel Penetration	34mm
Display Resolution	1280 × 1024

Image Processing System

Image Enhancement	Color/BW, negative, high/low penetration, organic /inorganic stripping, general enhancement, multi-absorptivity and suspect material enhancement, etc.
Material Classification	According to atomic number signatures
ROI & Zoom	Step/stepless zoom, up to 32 times enlargement
Image Recall	Preceding images recallable
Image Storage Capability	Up to 50,000

Miscellaneous Functions

Standard Functions	Time/date display, counters, user management, system-on/X-ray-on timers, power on self test, built-in diagnostic facilities, dual-direction scanning, system log, system standby and training, etc.
Optional Functions	Explosives/narcotics detections, high-density area alert

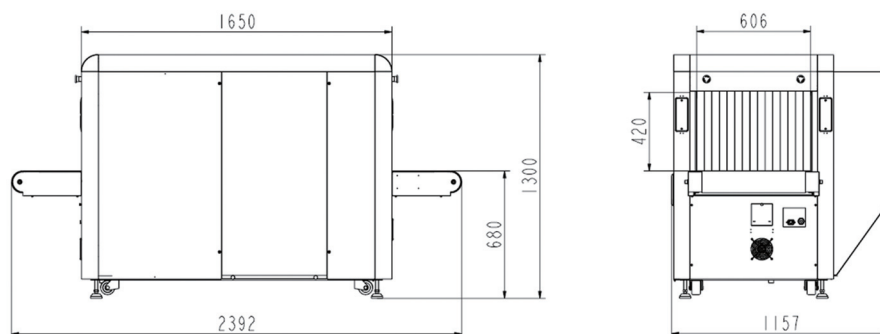
Health and Safety

X-ray Leakage	Less than 1 μ Gy / h (5cm from the housing) , complying with all published international standards
Film Safety	Guaranteed for high speed film up to ASA/ISO1600 (33DIN)

Installation Data

Dimensions	2392(L) × 1157mm(W) × 1300mm(H)
Weight	820kg
Storage Temperature / Humidity	-40°C ~ +60°C / 5% ~ 95% (non-condensing)
Operating Temperature / Humidity	0°C ~ +40°C / 5% ~ 95% (non-condensing)
Power Supply	220VAC/110VAC (-15%~ +10%), 50 Hz/60Hz \pm 3Hz
Power Consumption	0.9kVA

Note: Image performance specifications are based on test piece complying with GB 15208.2-2006.



NUCTECH COMPANY LIMITED

Address: 2/F Block A, Tongfang Building,
Shuangqinglu, Haidian District,
Beijing 100084, P.R.China

Tel: +8610 82393366

Fax: +8610 82393310

Http://www.nuctech.com

NUCTECH SYDNEY PTY LTD.

Address: Suite 4.04, 77 Dunning Avenue,
Rosebery NSW 2018 Australia

Tel: +612 96622307/96622317

Fax: +612 96622371

NUCTECH HONG KONG COMPANY LTD.

Address: Room 1602, The Metropolis Tower,
10 Metropolis Drive, Hunghom
Kowloon Hong Kong

Tel: +852 27221828

Fax: +852 27221849

NUCTECH WARSAW COMPANY

LIMITED SPOTKA Z.O.O.

Address: ul. Pandy 18

02-202 Warsaw Poland

Tel: +4822 6591545

Fax: +4822 6581483

NUCTECH COMPANY LTD.

SUCURSAL ARGENTINA

Address: Juana Azurduy 1520, Piso 4

Oficina C, Buenos Aires,

Argentina

Tel: +5411 47045924

Fax: +5411 47045459

Mobile: +54911 66630041/65314065

NUCTECH COMPANY LTD.

SUCURSAL VENEZUELA

RIF: J-30949364-7

Address: Av. Francisco de Miranda, Centro

Plaza, Torre A Piso 19, Oficina 19-C-D,

Caracas, Venezuela

Tel: +58212 2852594/2854194

Fax: +58212 2854194

Mobile: +58412 3217001

Copyright © 2012 NUCTECH COMPANY LIMITED, All Rights reserved.

Design and specifications are subject to change without notice.

Printed in CHINA, June 2012.



NUCTECH HAS BEEN AWARDED THE CERTIFICATE OF QUALITY MANAGEMENT SYSTEM (ISO9001:2000)
NUCTECH HAS BEEN AWARDED THE CERTIFICATE OF ENVIRONMENTAL MANAGEMENT SYSTEM (ISO14001:2004)
NUCTECH HAS BEEN AWARDED THE CERTIFICATE OF OCCUPATIONAL HEALTH AND SAFETY MANAGEMENT SYSTEM(OHSAS18001:2001)

120601

