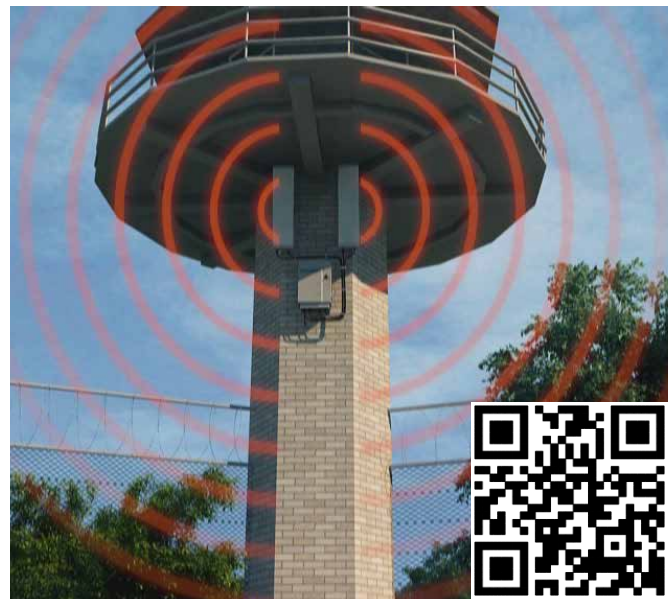




WolvesFleet
We Save Lives and Prevent leakage of confidence



WATERPROOF HIGH POWER JAMMERS PRISON SOLUTION

Model NO. WF-P5L

I. THE PRESENT PROBLEM HAPPENS ON THE PRISONERS TO USE THE MOBILE PHONE.

The rapid development of wireless communication, makes great convenience to the lives of people around the world. But criminals' abuse already seriously do harm to people's lives and impartial law enforcement.



Command To Murder The Witness



Collude The Partisans And Be Acquitted

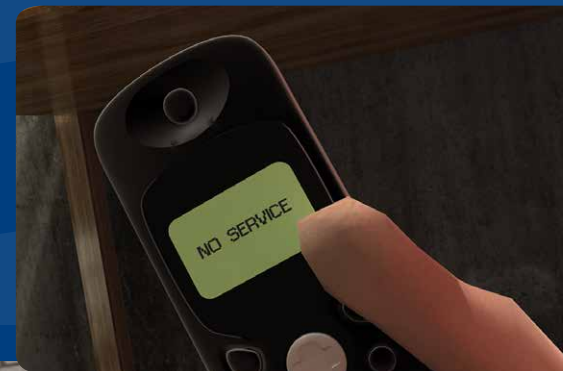


Command Jailbreak

Inmates take use of the wireless communication equipment and engage in the illegal activity with the outside partisans. They command to murder the witness and try to be acquitted, even making the riots to escape from the jail.

II. WOLVESFLEET SOLUTION

Wolvesfleet specialized in developing the jamming system for the buildings, completely block the inmates cellular phone communication inside the prison. We have been successfully applied our high power jamming system in the European, South American, mid-east countries and etc.



WF-P5L

Waterproof High Power Jammers



III. WF-P5L SPEC WITH ADVANTAGES AND FEATURES

WF-P5L Specification

High power Jamming System WF-P5L is developed specially for prisons and other large, sensitive facilities, such as military installations and government compounds.

WF-P5L is constructed inside a special metal enclosure, incorporating an efficient "smart active" cooling system with incoming air filters, which enables the system to operate 365 days/24 Hours/7days continuously even in hot weather. Its secure design ensures that the prison inmates and unauthorized prison personnel cannot tamper with the safe and continuous operation of the system.

Main Applications

Prisons and other large sensitive locations such as military or governmental compounds. It can also be used in Oil and Gas Storage Facilities and fields, Security Services, Military Units, Secret Services, Museums, Border Patrol and Drug Enforcement, Customs, etc.

Advantages and Features

01. Each unit can jam up to five frequency bands simultaneously.
02. For the cellular phone jamming, only making the interference to the downlink bands, never to the uplink and make sure BTS normal running.
03. Special Waterproof and solid housing for all weather protection.
04. Continuous operation, even in hot climates, with no time limit.
05. Heat sink designing combining with the fans to make system in a cooling status.
06. Secure design to avoid sabotage.
07. (VSWR) circuit protection to ensure system will not burn out in case of antenna short circuiting or disconnection
08. Antenna type options, directional or omni-directional antennas option.
09. Selection of antennas to provide more flexibility regarding jamming coverage.
10. UPS and battery backup in case of mains power failure.

Technical Specification

Model	WF-P5L Triple Band	WF-P5L Four Band	WF-P5L Five Band
Number of Frequency bands	3	4	5
All Frequency, Up to 5Bands can be chosen	<p>Cellphone Standards CDMA450(460-470MHz) CDMA800/GSM850(851-894MHz) iDEN(869-894MHz) GSM900(925-960MHz) DCS/GSM1800(1805-1880MHz) PCS/GSM1900(1930-1990MHz) 3G/WCDMA/CDMA2000(2110-2170MHz) 4G/LTE700(American), 4G/LTE800(Europe),4G/LTE2.6GHz,4G-LTE2.3GHz</p> <p>Computer Communication Standards Wlan, 2.4GHz,WiFi,Bluetooth</p> <p>Satellite Communication Systems GlobalStar, GPS,Thuraya (1520-1580MHz)</p>		
Output Power(Watt)	Up to 15Watt/band	Up to 15Watt/band	Up to 15Watt/band
Total Power(Watt)	Max: 45Watt	Max: 60Watt	Max: 75Watt
Power Consumption	Max:300VA	Max:350VA	Max:350VA
Power Supply voltage	230VAC/110VAC 24-27VDC		
Housing	Metal Enclosure		
Device Size	500*375*235mm		
Total System Weight (With antennae)	Approx.: 18kg	Approx.: 18kg	Approx.: 20kg
Humidity	5%-80%		
Operational Temperature	-40 °C - +65 °C		
Cooling System	Active smart with integrated incoming air filter		
Waterproof level	IP55		
Antennae type	Directional Antennae (Omni directional antennae optional)		
Antenna Gain	Directional Antennae up to 15dBi, Omni directional antennae up to 8dBi		
Directional Antennae Number (Max)	2	2	3

IV. HOW TO WARRANTY THE DEVICE IN NORMAL WORKING UNDER EXTREMELY HIGH TEMPERATURE.



Active Cooling System



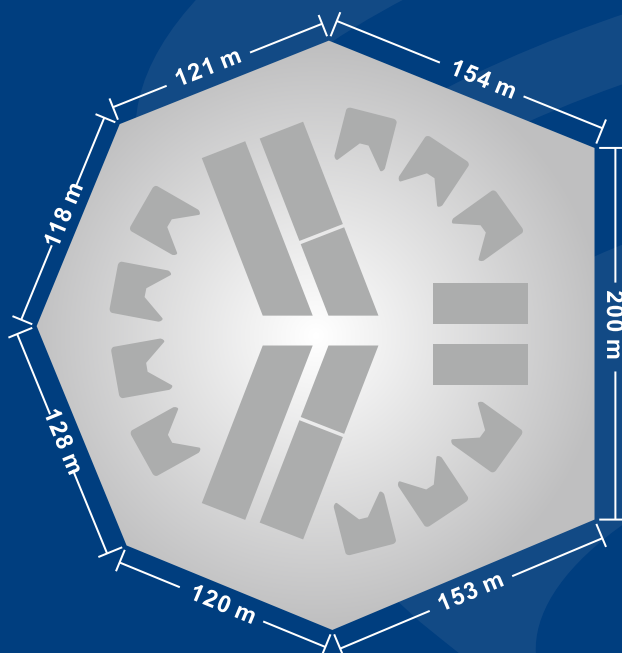
Metal protection Cover with incoming air Filter



The Metal Heat efficient and automatic cooling system.

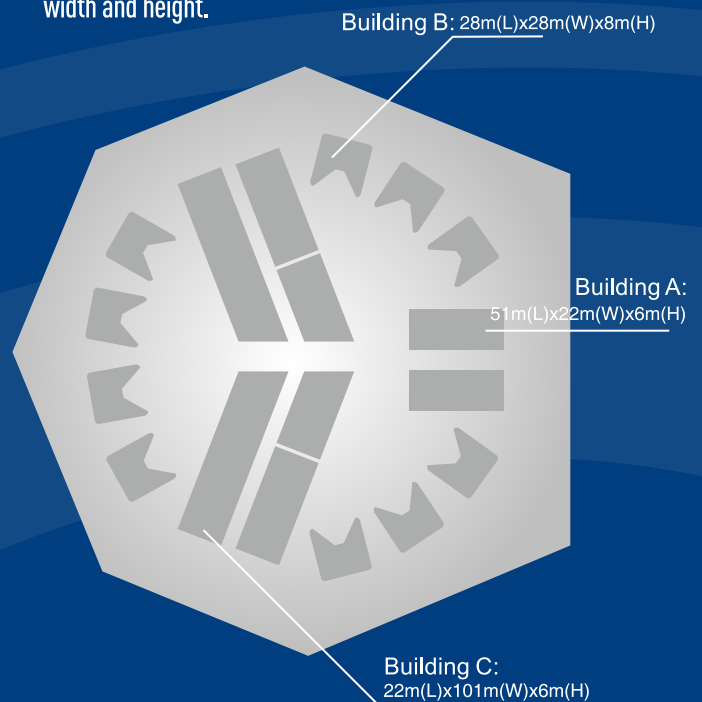
V. BEFORE WE CONFIRM THE INSTALLATION QUANTITY AND COMPLETE SOLUTION, INFORMATION BELOW MUST BE OFFERED

a. The map and size of prison.



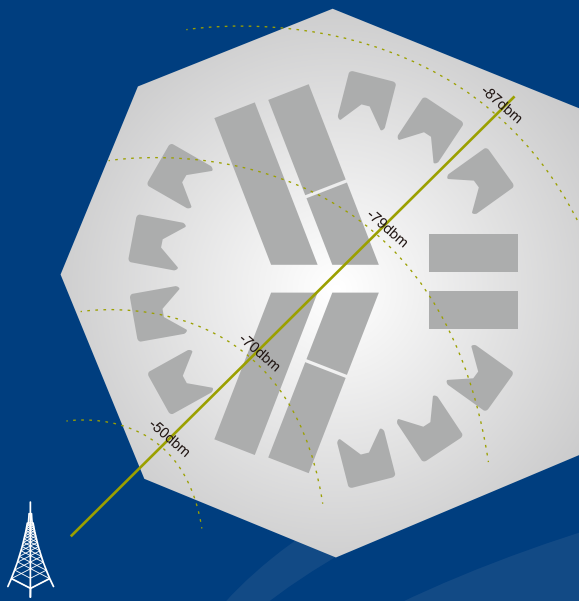
It helps us to define the jammer quantities to be installed.

b. All the buildings location inside the prison as well as their length, width and height.



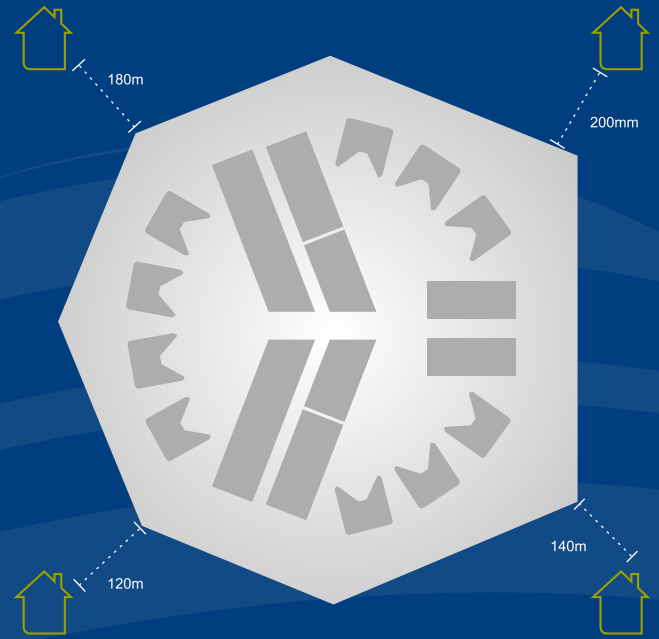
These will be helpful to design the height of the antenna as well as coverage range of the device. Moreover it will be better to confirm the quantities of jammers and position to be installed.

c. The Cellphone signal strength (or nearest BTS distance) from all directions surrounding the prison



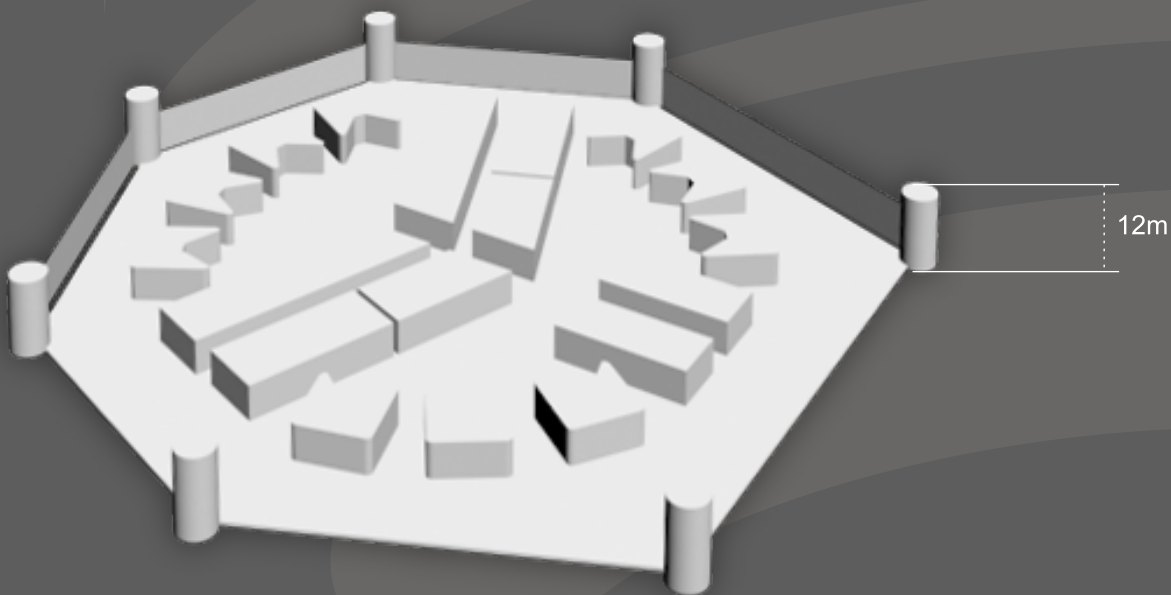
This is also an important factor to confirm the quantities of the jammers and position to be installed.

d. The distance between prison in all directions and its nearest residential area



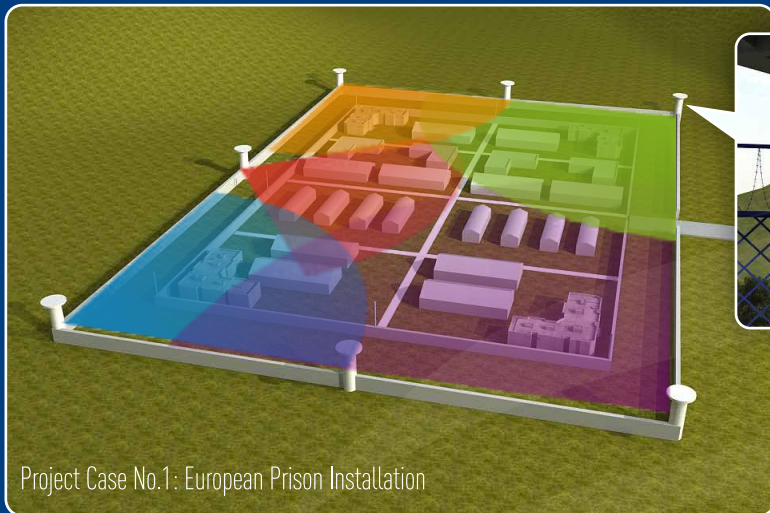
This helps us to confirm the antennae mounting position and installation angle in order not to interfere the normal cellular phone working in surrounding residential areas.

e. Height of Perimeter wall, Is there any patrolling tower or not , if yes,its height and position must be offered .



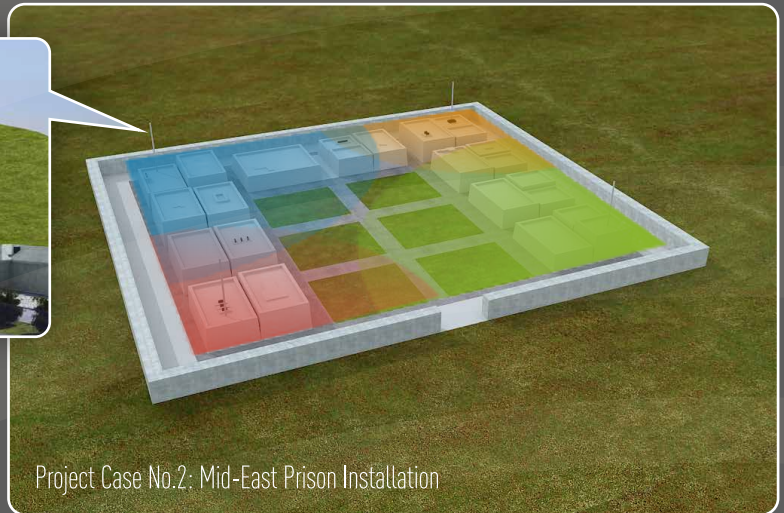
Through these info, we can confirm whether we can take advantage of the fixing post to mount the jammers on the perimeter wall or existed patrolling towers. Therefore ,the installation cost can be reduced greatly.

VI. PROJECT SHOW & INSTALLATION



Project Case No.1: European Prison Installation

Take use of the existing building to install the jammers. This cost will be lower to some degree.



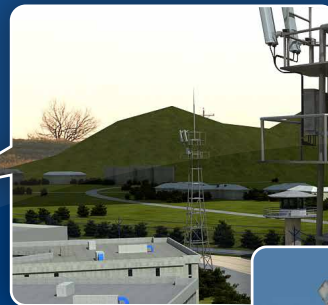
Project Case No.2: Mid-East Prison Installation

Setup a cylindrical communication tower. It is also very safe. But the cost remains expensive.



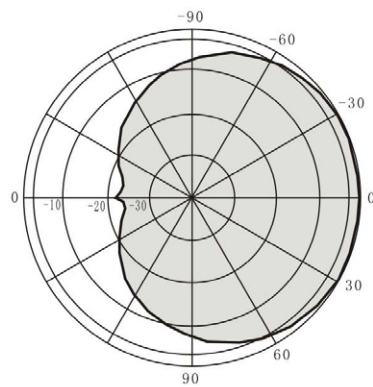
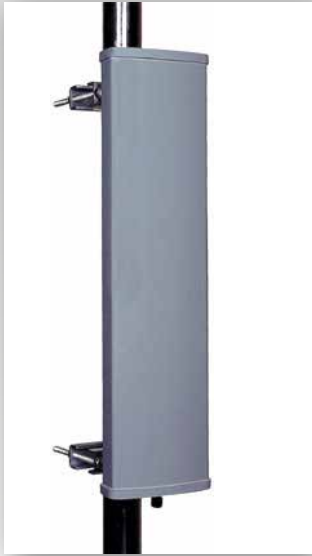
Project Case No.3: South America Prison Installation

Take use of the existing building to install the jammers. This cost will be lower to some degree.

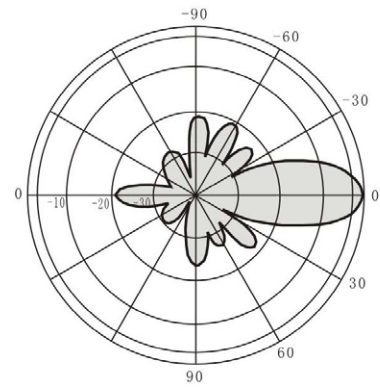


VII. ANTENNAE SPECIFICATION

Directional Antenna



Horizontal Plane

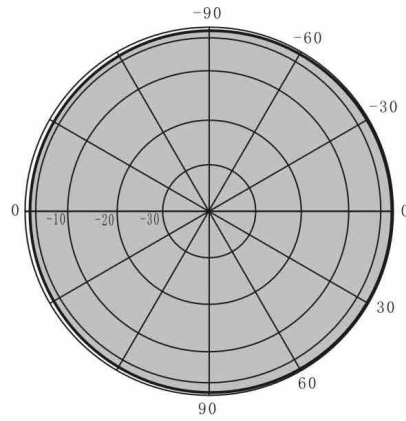
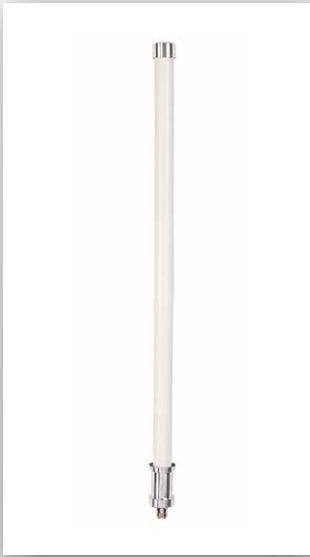


Vertical Plane

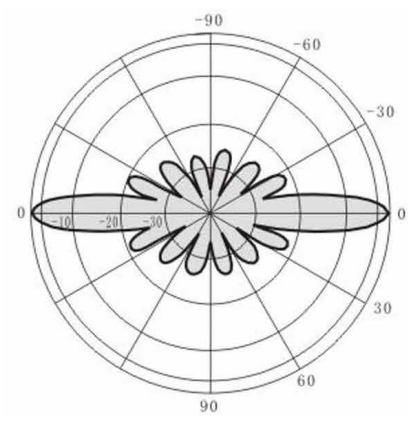
Directional Antenna Specification

Model	TG5-18DT			
Frequency Range	450-470MHz	725-960MHz 1805-1990MHz	725-960MHz 1520-2200MHz	725-960MHz 2300-2700MHz
	Single-band	Dual-band		
Input Impedance	50(Ω)			
VSWR	≤ 1.5			
(3dB)HPBW	65°H-plane 7°E-plane			
Maximum Power	500Watt			
Gain	5dBi	12-15dBi	15-18dBi	15-18dBi
F/B	>25(dB)			
Isolate	>28(dB)			
PIM	<-107(dBm)			
Cross Polarization	>15(dB)			
Polarization	Vertical Polarization			
Connector Type	N-K			
Lighting Protection	Direct Ground			
Wind Velocity	200(km/h)			
Weight	11KG			
Height*Width*Depth	125*290*90(mm)			
Hold Pole Diameter	$\varnothing 50$ - $\varnothing 100$ (mm)			

Omni Antenna



Horizontal Plane



Vertical Plane

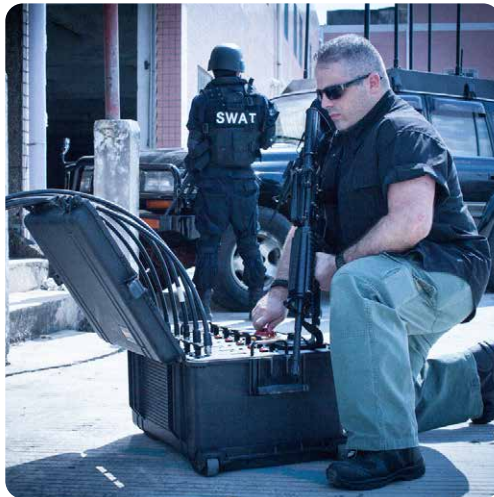
Omni Antenna Specification

Model	TG3-120N			
Frequency Range	450-470MHz	725-960MHz	1520-2200MHz	2300-2700MHz
Input Impedance	50(Ω)			
VSWR	≤ 1.5			
(3dB)HPBW	35°E-plane			
Maximum Power	150Watt			
Gain	3dBi	5dBi	7-10dBi	10-12dBi
Polarization	Vertical Polarization			
Connector Type	N-K			
Lighting Protection	Direct Ground			
Wind Velocity	200(km/h)			
Length	1100-1300cm	650-950cm	650-1800cm	650-950cm
Hold Pole Diameter	$\Phi 33$ - $\Phi 36$ (mm)			

VIII. Complete Accessories

① Jammer, ② Directional Antennae / Omni directional antennae optional, ③ AC power supply cable, ④ case key, ⑤ RF cables.

Wireless Explosion Prevention Expert



WolvesFleet

We Save Lives and Prevent leakage of confidence

WOLVESFLEET TECHNOLOGY CO., LIMITED

Add: 4th Floor, R&D Building, Dacheng Industrial Park, Jihua Road, Buji, ShenZhen, China

Tel: 86-755-33620231 Fax: 86-755-33620232 www.wolvesfleet.com

All copyrights are reserved by WOLVESFLEET. Without permission, mustn't be Copied and reproduced. Once discovered, legal liability will be held.