

NUCTECH™ HT2000GA

Body Inspection System

Introduction

NUCTECH™ HT2000GA is a high-performance, efficient people screening solution designed and made by NUCTECH. It employs the latest low-dose X-ray transmission imaging technology, with open channel and walk-through design, the HT2000GA can complete non-contact head-to-toe inspection and find threats hidden on or in the human body.

The NUCTECH™ HT2000GA provides high-quality images and state-of-the-art processing software. It can detect non-metal/metal weapons, drugs, explosives, liquid, jewelries, electronic devices, etc.

The NUCTECH™ HT2000GA is adaptable and suitable for personal security inspections at customs, prisons, narcotics enforcement, aviation, borders, mine factories, stations and other checkpoints.



Technology Features

⦿ Non-contact head-to-toe inspection

Detect threats hidden in and on the body.

⦿ High quality images

Provide high resolution and real time images.

⦿ Practical software

Provide image processing, database management, user management and training functions; compatible with remote operation, centralized management and mobile inspection.

⦿ Superior inspection capability

Easily detect threats concealed under clothing or swallowed or hidden in the anatomical cavities of the human body, including but not limited to: metal/non-metal weapons, explosives, drugs, smuggled goods, mobile phones, jewelries and precious metals.

⦿ Radiation safety

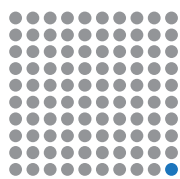
Low dose; comply with the IAEA and ANSI N43.17.



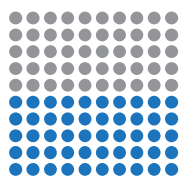
NUCTECH COMPANY LIMITED

People Screening Business Division

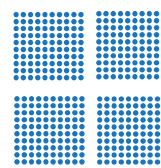
Radiation dose comparison



1 Inspection = 1 hour natural background



50 Inspections = 2.5 hours flight



400 Inspections = 1 Chest X-rays

Technical Specifications

General Specification

Inspection mode	Non-contact
Scan time	≤ 9 s
Throughput	≥ 240p/h
Spatial resolution	Φ 1.0 mm line pairs
Wire detection	≥ 34 AWG
Radiation dose for single inspection	0.25 - 2.0 μSv (adjustable)
Imaging capabilities	Metal/non-metal weapons, explosives, drugs, liquids, etc.

Imaging Processing System

Standard operator number	1
Image acquisition mode	Real time
Image enhancement	Zoom & Move, mark Image, enhancement, color enhancement, grey-scale adjustment
Image recall	Retrieve scanned image, track inmates cumulative dose

Installation Data

System dimensions	2502 mm(H) x 2065(W) x 1800 mm(D)
Scan dimensions	2050 mm(H) x 750 mm(W)
Weight	650 Kg
Power supply	110/240 VAC, 50/60Hz
Power consumption	1.0 KVA
Operating temperature/Humidity	0°C ~ +40°C, 5% ~ 95% (non-condensing)
Storage temperature/Humidity	-20°C ~ +60°C, 5% ~ 95% (non-condensing)

Advanced Function

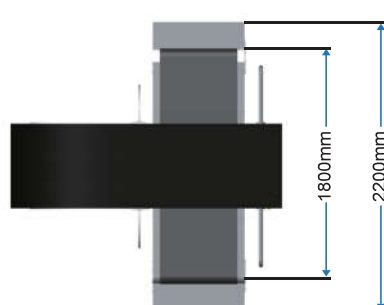
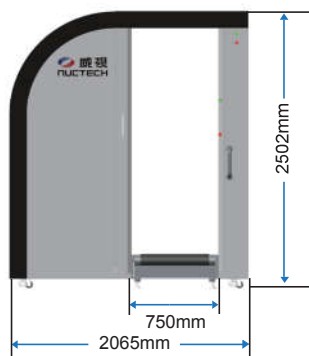
Optional feature	Video surveillance, remote control & management etc.
------------------	------------------------------------------------------

Scan Image



	Electronic detonator		Mobile phone
	Ceramic knife		Pistol
	Screwdriver		Handcuffs
	Narcotic powder		Battery

Dimensions



Front view | top view

Copyright 2016 NUCTECH COMPANY LIMITED, All Rights reserved.
 Design and specifications are subject to change without notice.
 Printed in CHINA, Nov 2016.



NUCTECH HAS BEEN AWARDED THE CERTIFICATE OF QUALITY MANAGEMENT SYSTEM (ISO9001:2008)
 NUCTECH HAS BEEN AWARDED THE CERTIFICATE OF ENVIRONMENTAL MANAGEMENT SYSTEM (ISO14001:2004)
 NUCTECH HAS BEEN AWARDED THE CERTIFICATE OF OCCUPATIONAL HEALTH AND SAFETY MANAGEMENT SYSTEM (OHSAS18001:2001)

NUCTECH COMPANY LTD

Email: psbd@nuctech.com
 Address: 2/F Block A, Tongfang Building,
 Shuangqinglu, Haidian District, Beijing 100084,
 P.R.China
 Postcode: 100084